



SUBMERSIBLE AdBlue® ELECTRO-PUMP “Mec-Ariel”

Submersible multi-impeller electro-pump designed for AdBlue®/DEF/Arla32. The pump is complete with power supply cable L.5m with case H07BN4-F and connection with clapet valve, plastic structure suitable for Adblue®. The equipment complies with EN 60335-1/EN 60034-1/IEC 60335-1/IEC 60034-1/CEI 61-150/CEI 2-3. The electro-pump works with S1 service continuously with flow rate up to 70 l/min and delivery head up to 27m, it can be used under the liquid level up to a maximum of 3m. Emptying level up to 25mm from the bottom. Electric engine with insulation in F class, IP X8 protection.

Art. 098-7000-230 Submersible electro-pump for AdBlue® “Mec-Ariel” 230V 50Hz 70 l/min

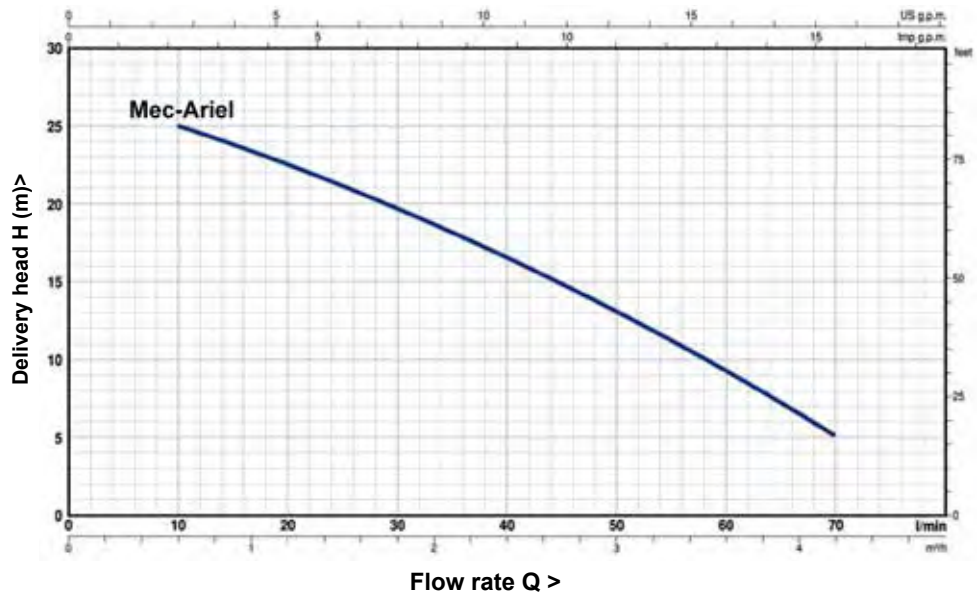
It is designed to pump clean liquid defined according to ISO 22241 standard as AUS32 (Aqueous Urea Solutions 32,5%).

This liquid corresponds to commercial names known as:

- AdBlue® (brand registered by Verband der automobilindustrie VDA)
- DEF (Diesel Exhausted Fluid)
- Arla 32 (Agente Reductor Líquido de Oxido de Nitrogenio Automotivo)



PERFORMANCE DATA



Ref.	Power (P2)		Q										
	kW	HP		m3/h	0	0,6	1,2	1,8	2,4	3	3,6	4,2	
			l/min	0	10	20	30	40	50	60	70		

098-7000-230	0,37	0,5	H	meters	27	25	22,5	19,5	16,5	13	9	5
--------------	------	-----	---	--------	----	----	------	------	------	----	---	---

Q=Flow rate H= Total manometric delivery head

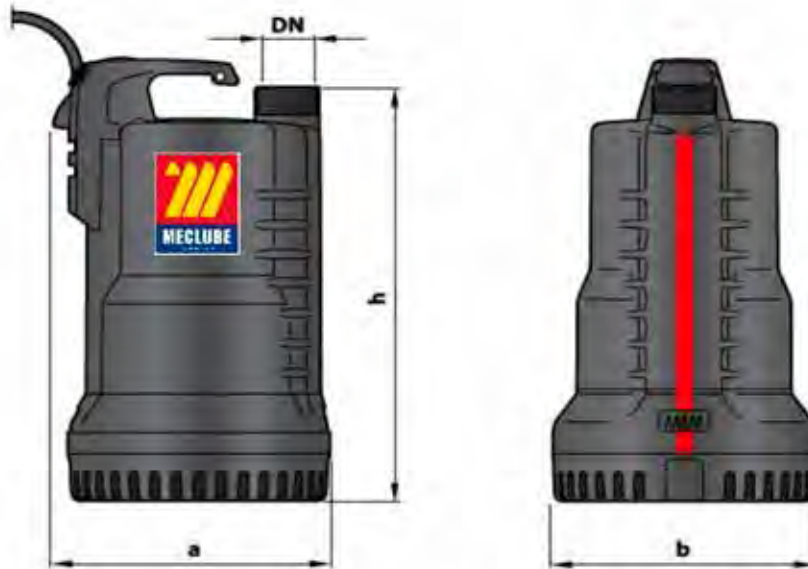
Tolerance of performance curves according to EN ISO 9906 Degree 38

SUBMERSIBLE AdBlue® ELECTRO-PUMP “Mec-Ariel”

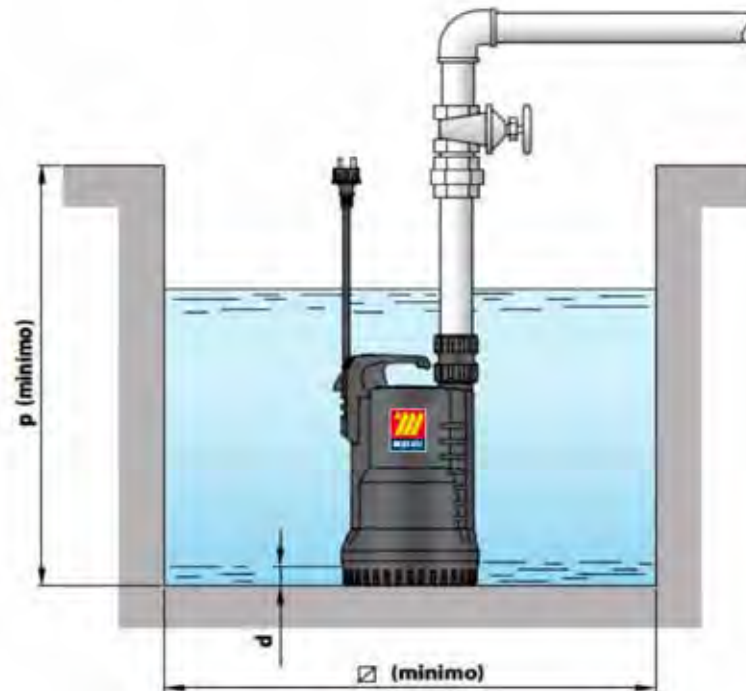


Technical Data

Ref.	Description	Voltage	Flow rate	Liquid. Max. Temper	Power	Cable lenght	Working cycle	Packaging
		V / Hz	l/min	°C	A	m	min	mm
098-7000-230	Mec-Ariel	230/50	70	+40	2	5	S1 (continuos)	235X195X370



Typical installation



Ref.	Entrance	Stages N°	Dimensions (mm)					Weight
			a	b	h	d	∅	
098-7000-230	1 1/4"	2	180	170	295	25	220	6,15